

## Neon 1212 Mono H

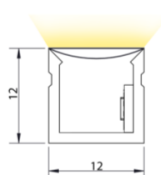
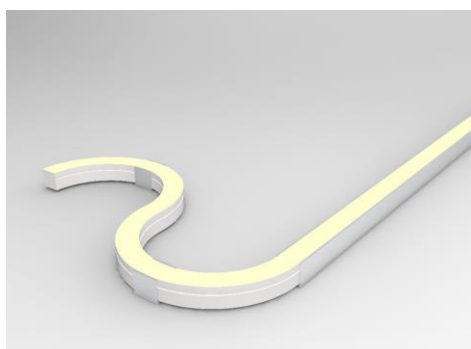


LIMITLESS Premium NEON Flex light made of Flexible printed circuit technology (FPC), encapsulation polyurethane offering ultimate waterproof, UV resistance, available in 3 different wattage & 5 different CCT, adapt for Indoor applications. LED mono color, diffused light effect 150°, using LEDs high performance with CRI 90+, with SDCM<3 (One Bin Only), input voltage 24Volt CV, available in 5 - 10Watt/Meter, lumen and available CCT as reported below. Cable length 1000mm.

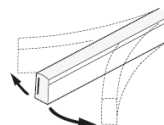
Protection IP67/68  
 Operating ambient temperature from -25°C to 45°C.

Produced in Italy.

### Image & Drawing



#### Horizontal Bending



### Product Final Code Horizontal Bending

CCT	CRI	W/mt	W/Reel	Lumen/mt delivered	Code
2400K	CRI90	5	25	263	LH12-NEON5W.90.IP67.24K
2700K	CRI90	5	25	273	LH12-NEON5W.90.IP67.27K
3000K	CRI90	5	25	290	LH12-NEON5W.90.IP67.30K
4000K	CRI90	5	25	305	LH12-NEON5W.90.IP67.40K
5000K	CRI90	5	25	313	LH12-NEON5W.90.IP67.50K
2400K	CRI90	10	50	525	LH12-NEON10W.90.IP67.24K
2700K	CRI90	10	50	545	LH12-NEON10W.90.IP67.27K
3000K	CRI90	10	50	580	LH12-NEON10W.90.IP67.30K
4000K	CRI90	10	50	610	LH12-NEON10W.90.IP67.40K
5000K	CRI90	10	50	625	LH12-NEON10W.90.IP67.50K

## Neon 1212 Mono H

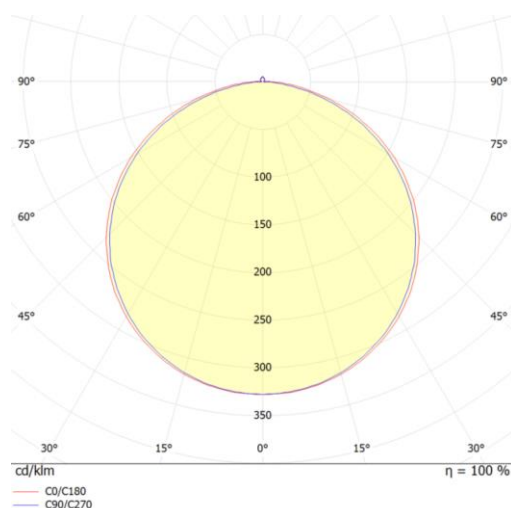
### Technical Data

Application	Surface/Recessed mounted as per aluminum profile
Dimension mm	12 x 12 x 5000 & Custom
Cutting	Every 100mm
Fitting Life	L90 B10 (Ta ,25°C) - Reported TM-21 L70 Lifetime: >54000 hours
Operating Temp.	-20°C - +45°C

### Specification Product

Light distribution	Diffused 150°
CRI	>90
SDCM	SDCM<3
Wattage	5 - 10W/m
Voltage	24V DC / Min 23 - Max 25
Class	III
Weight	
Other Accessories	Aluminum & Drivers to be ordered separately

### Light Distribution



### Driver Accessories



Code D048  
DALI IP20  
DC 24V: min 10 - max 26Vdc  
4 x 5A channel (Max 10A total)  
4 x 120W channel (Max 240W total)



Code D001  
IP67 75Watt  
Input Voltage 85 - 264VAC  
Output Voltage 24 Volt  
Output Current 3.15 A



Code D004  
IP67 150Watt  
Input Voltage 85 - 264VAC  
Output Voltage 24 Volt  
Output Current 6.25 A

## Neon 1212 Mono H

### Installation Accessories



Code

L-AL039 - Kit Aluminum Profile U 1000\*15\*14

L-AL042 - Kit Aluminum Profile U 2000\*15\*14



Code

L-AL049 - Kit Aluminum Profile Frame 1000\*23\*14

L-AL050 - Kit Aluminum Profile Frame 2000\*15\*14



Code

L-AL051 - Kit Aluminum Profile U 1000\*15\*28

L-AL052 - Kit Aluminum Profile U 2000\*15\*28



Code

L-AL053 - Kit Aluminum Profile U 1000\*23\*28

L-AL054 - Kit Aluminum Profile U 2000\*23\*28



Code

L-AL040 - Kit 10 nos Aluminum Profile U  
30\*15\*14mm

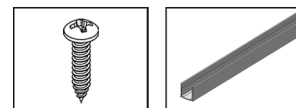
# LIMITLESS

## INSTALLATION INSTRUCTIONS

### SURFACE MOUNTED WITH LONG PROFILE



Required Tools

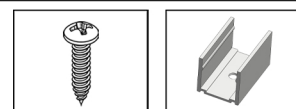


Required Accessories

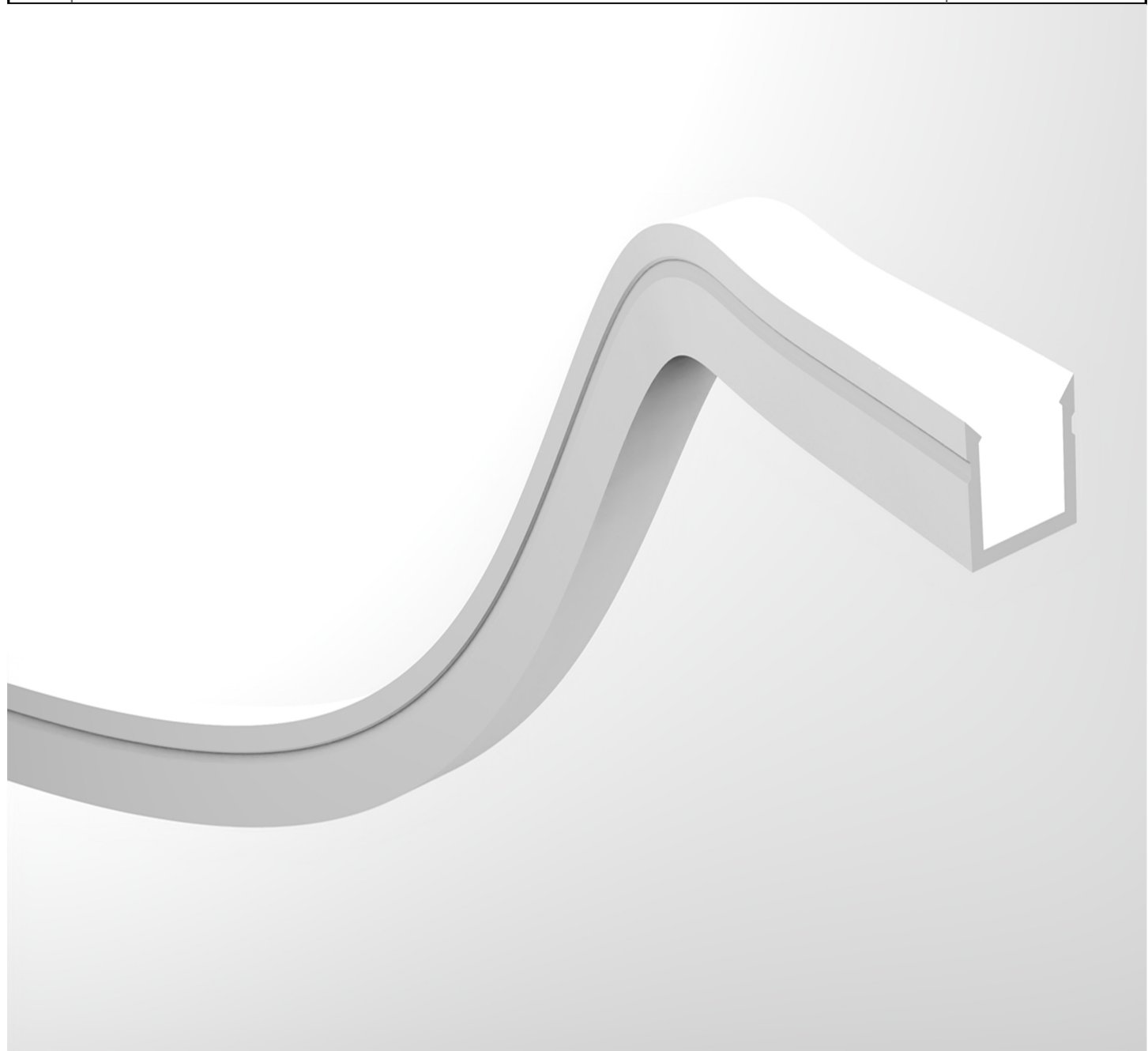
### SURFACE MOUNTED WITH CLIPS



Required Tools



Required Accessories

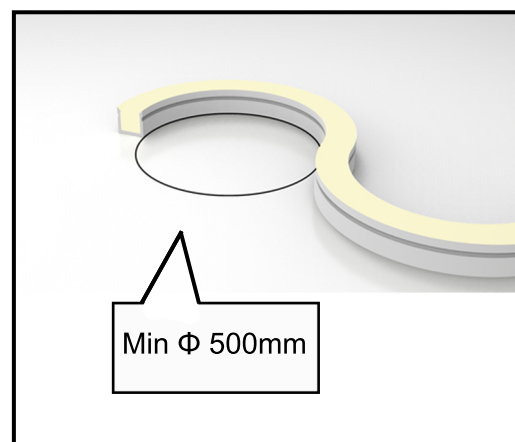
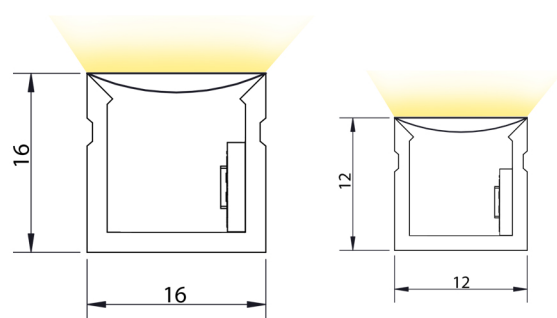
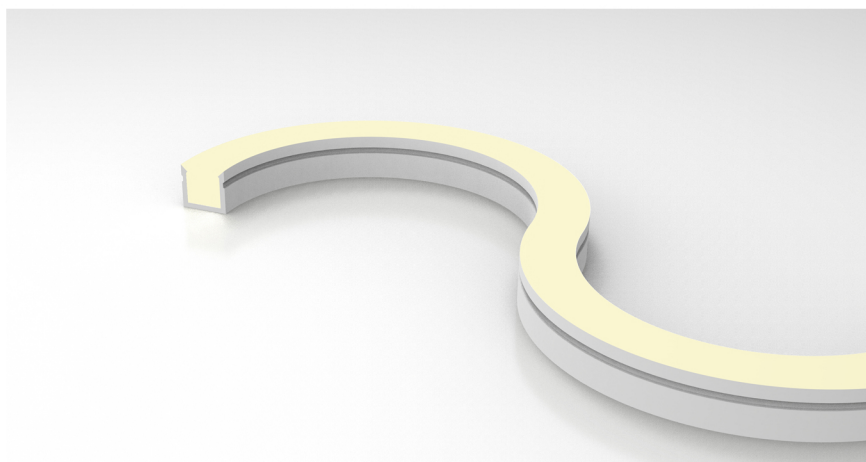




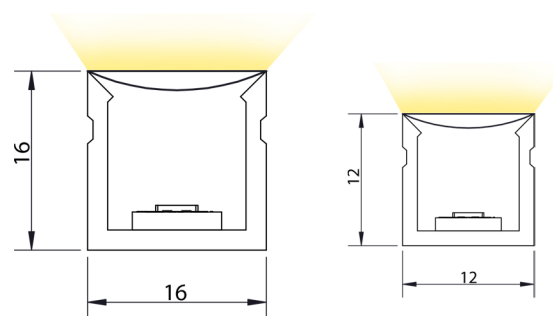
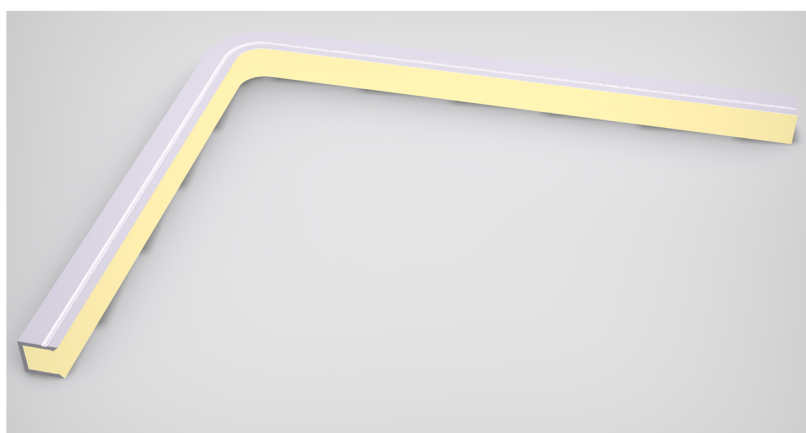
# LIMITLESS

## INSTALLATION INSTRUCTIONS

### HORIZONTAL BENDING



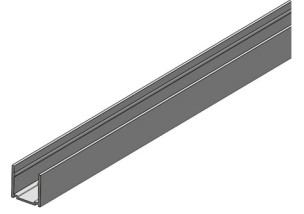
### VERTICAL BENDING



# LIMITLESS

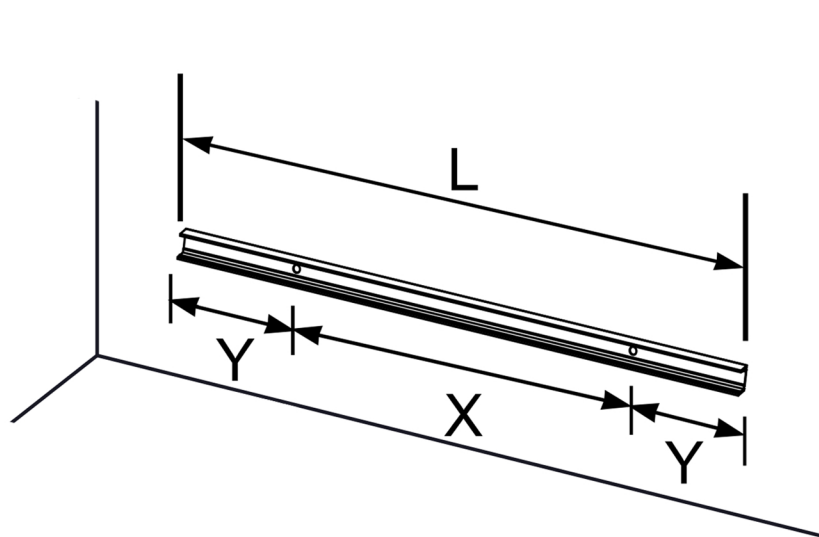
## INSTALLATION INSTRUCTIONS

### SURFACE MOUNTED WITH LONG PROFILE

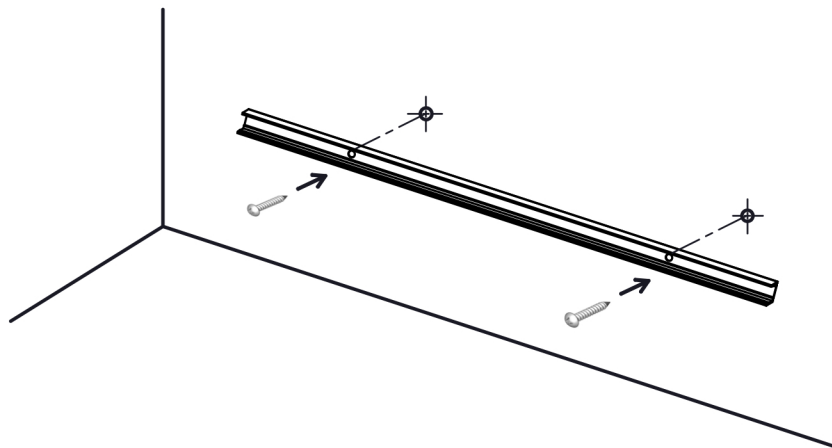


1.1

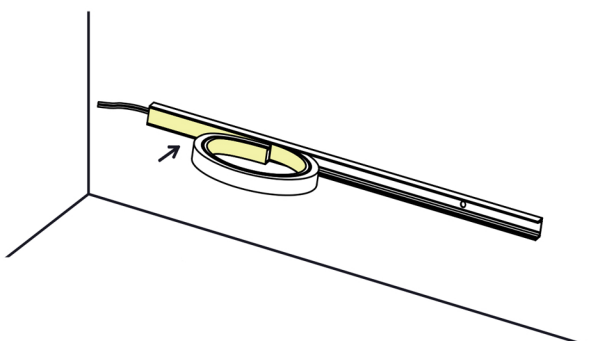
L=max 1000 mm  
X=min 500 mm  
Y=min 250 mm



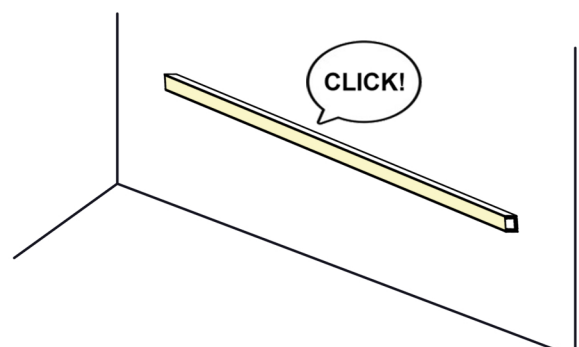
1.2



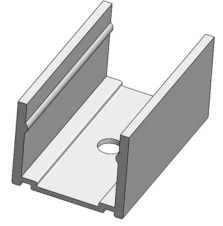
1.3



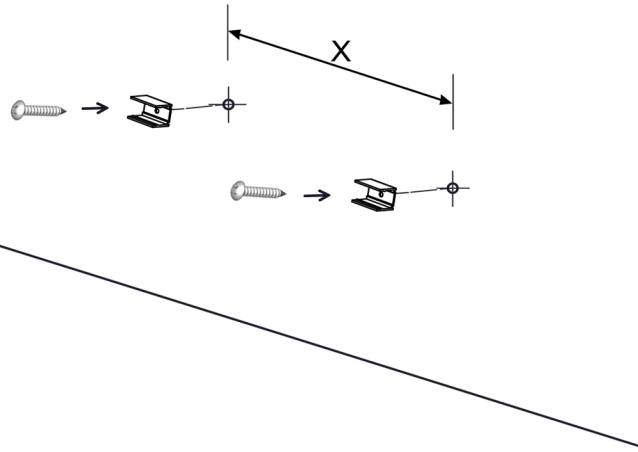
1.4



### SURFACE MOUNTED WITH CLIPS

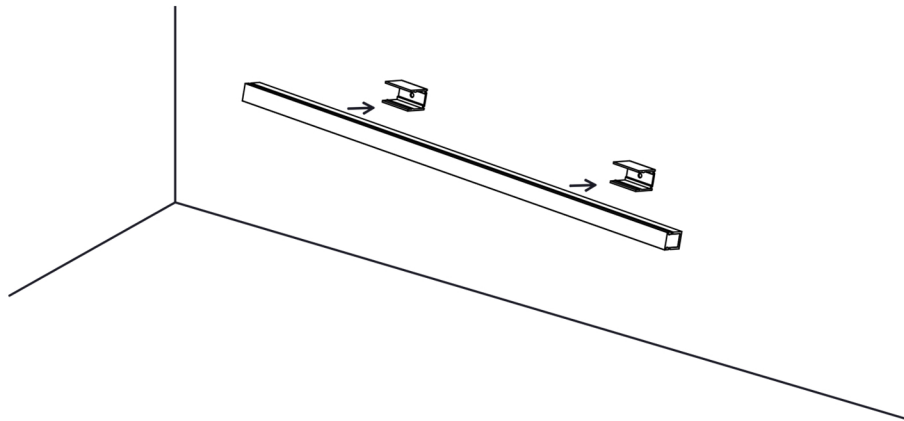


2.1

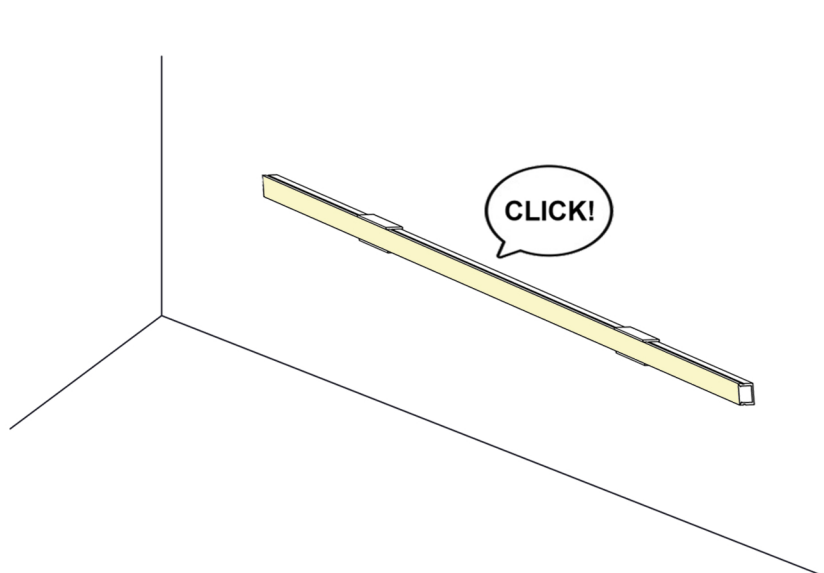


X = max 500 mm

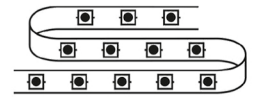
2.2



2.3

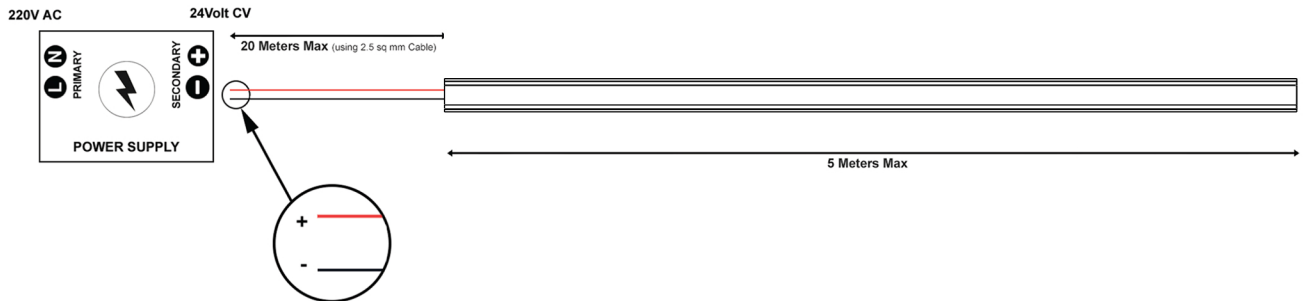


# LIMITLESS - WIRING DIAGRAM



## MONO-COLOUR DRIVER CONNECTION

### SINGLE LED STRIP CONNECTED



### MULTIPLE LED STRIP CONNECTED



## RGBW DRIVER CONNECTION

